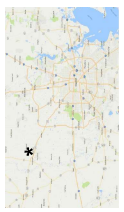


APPENDIX B
ELECTRICAL DISTRIBUTION SYSTEM

1 2 3 4 5 6 7 8 9 10 11 12 13 14



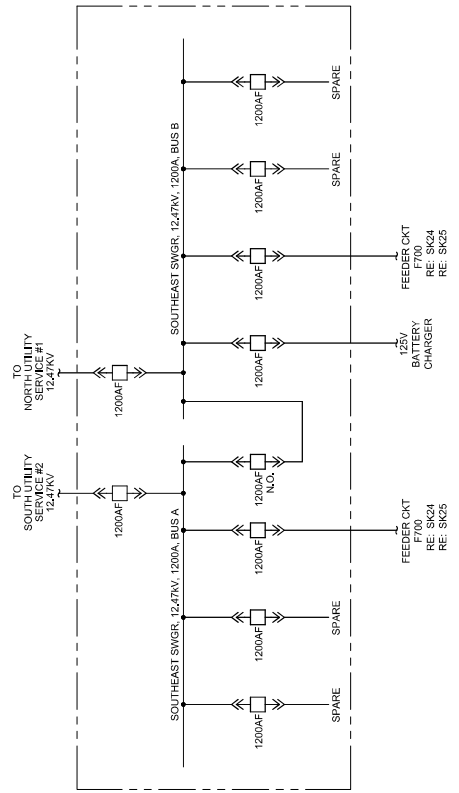
SITE LOCATION
 PRAIRIE VIEW A&M UNIVERSITY
 100 ENERGY WAY SUITE 1900
 FORT WORTH, TEXAS 76102
 PRAIRIE VIEW, TX 77446



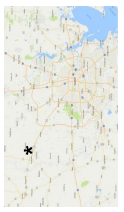
DATE	08/14/2017	DESIGNED	AGM
DESIGNED	AGM	CHECKED	MFD

2017 UTILITY MASTER PLAN
 MAIN CAMPUS BUILDING GROWTH
 PROJECT: SOUTH EAST SWITCHGEAR
 PROJECT NO: 98470
 DRAWING REV.

SK23 - 1



ONE-LINE DIAGRAM
SOUTHEAST SWITCHGEAR
 ONE-LINE
 NOT TO SCALE



SITE LOCATION
 PRAIRIE VIEW A&M UNIVERSITY
 100 ENERGY WAY SUITE 1500
 PRAIRIE VIEW, TX 77466



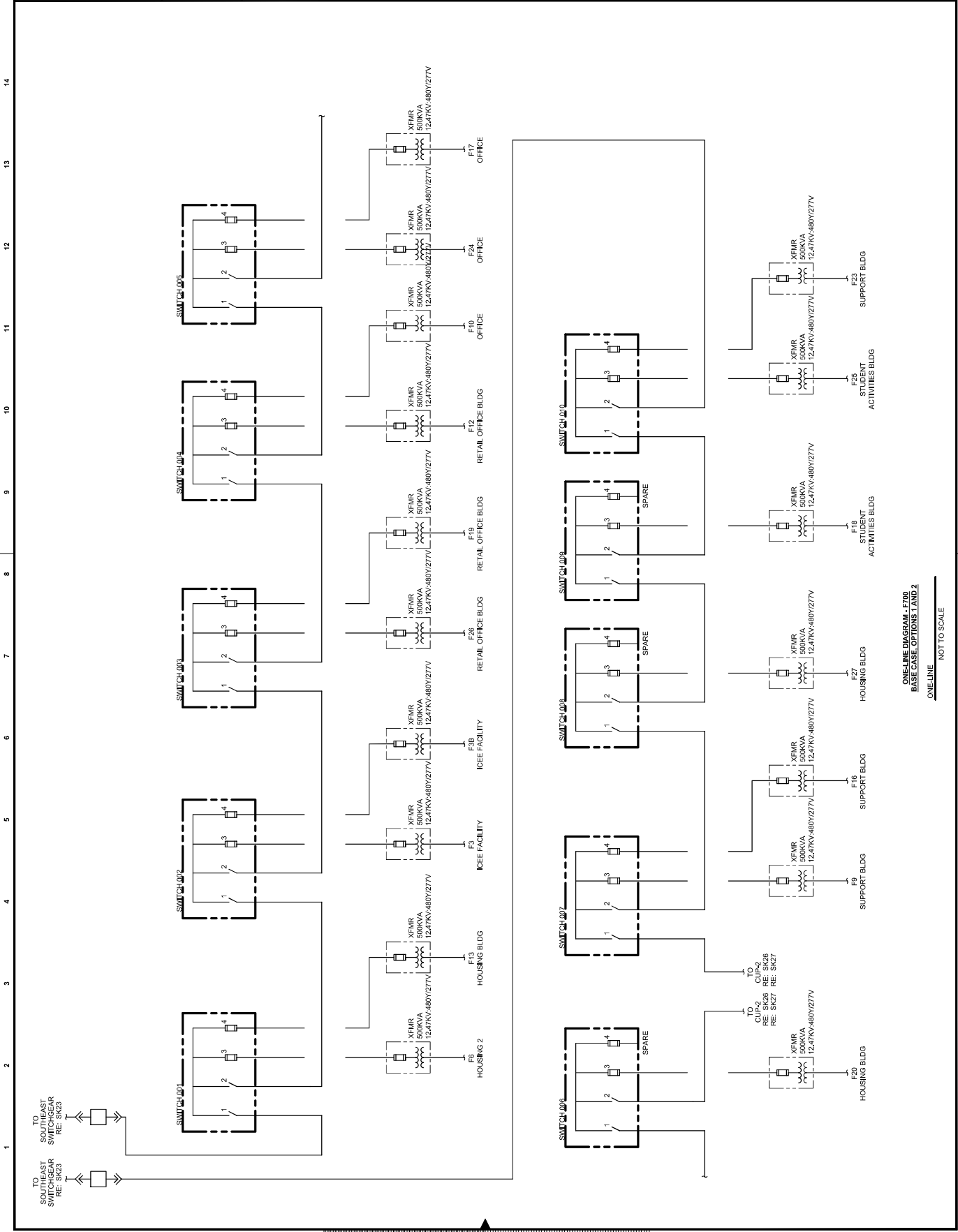
BURNS & MCDONNELL
 100 ENERGY WAY SUITE 1500
 FORT WORTH, TX 76102
 817-377-5361



DATE: 08/14/2017
 DESIGNED: AGM
 CHECKED: AGM

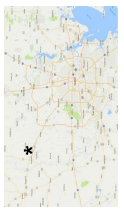
2017 UTILITY MASTER PLAN
 BUILDING GROWTH
 MAIN CAMPUS UTILITIES
 ONE-LINE DIAGRAM - F700 -
 PROJECT: F700 - BASE CASE, OPTIONS 1 AND 2

DRAWING: 98470
 REV: SK24 - 1



ONE-LINE DIAGRAM - F700
 BASE CASE, OPTIONS 1 AND 2
 ONE-LINE
 NOT TO SCALE

1 2 3 4 5 6 7 8 9 10 11 12 13 14



SITE LOCATION
 PRAIRIE VIEW A&M UNIVERSITY
 100 ENERGY WAY SUITE 1500
 PRAIRIE VIEW, TX 77446

BURNS & MCDONNELL
 100 ENERGY WAY SUITE 1500
 FORT WORTH, TX 76102
 817-377-5361

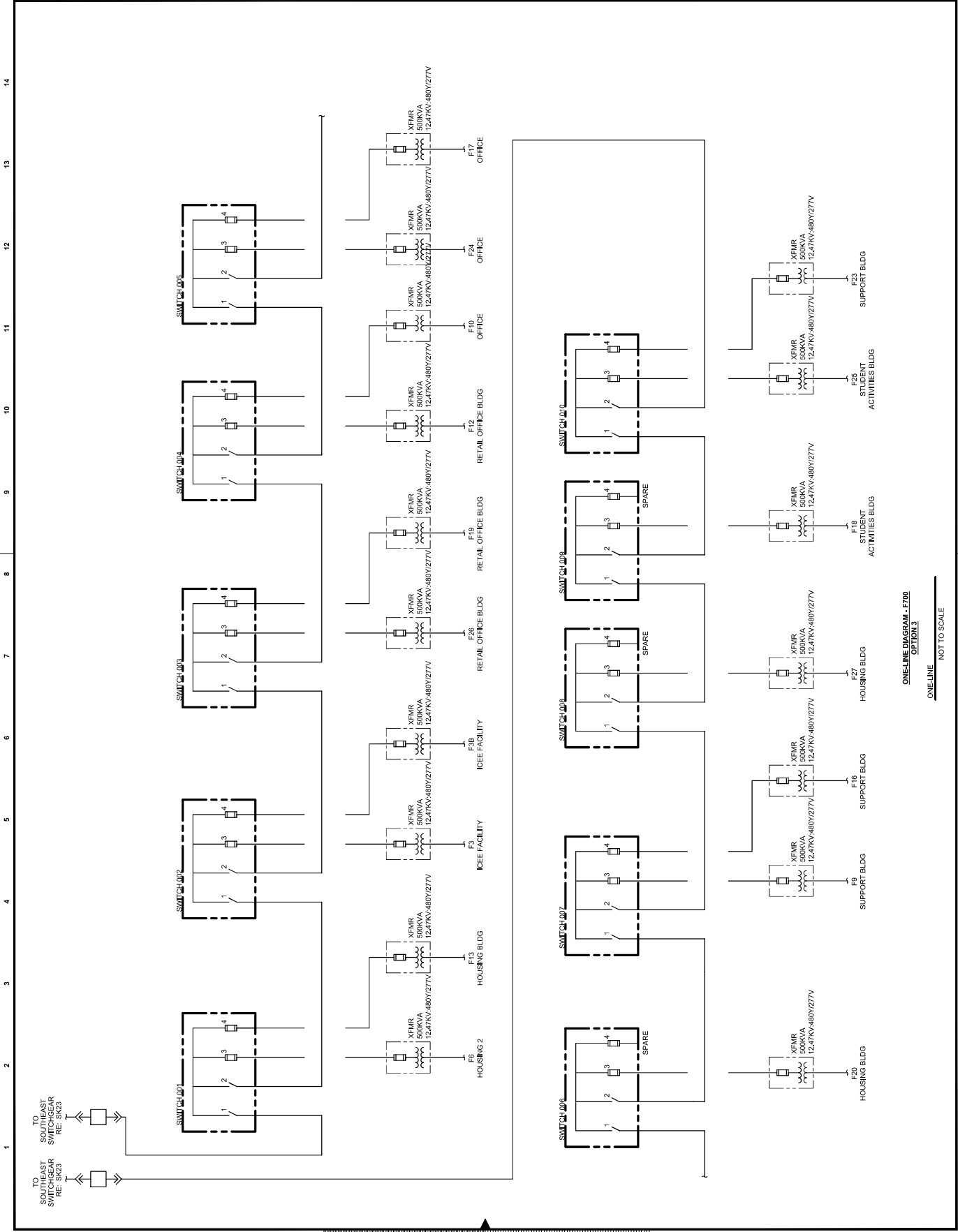


DATE 08/14/2017
 Designed AGM
 Checked AGM

2017 UTILITY MASTER PLAN
 BUILDING GROWTH
 OPTION 3
 F700-OPTION 3

Project 98470
 Drawing

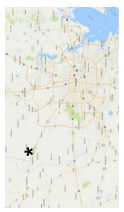
SK25 - 1



ONE-LINE DIAGRAM - F700
 OPTION 3
 ONE-LINE
 NOT TO SCALE

1 2 3 4 5 6 7 8 9 10 11 12 13 14

1 2 3 4 5 6 7 8 9 10 11 12 13 14



SITE LOCATION
 PRAIRIE VIEW A&M UNIVERSITY
 100 ENERGY WAY SUITE 1900
 FRIEDLAND CAMPUS
 PRAIRIE VIEW, TX 77446

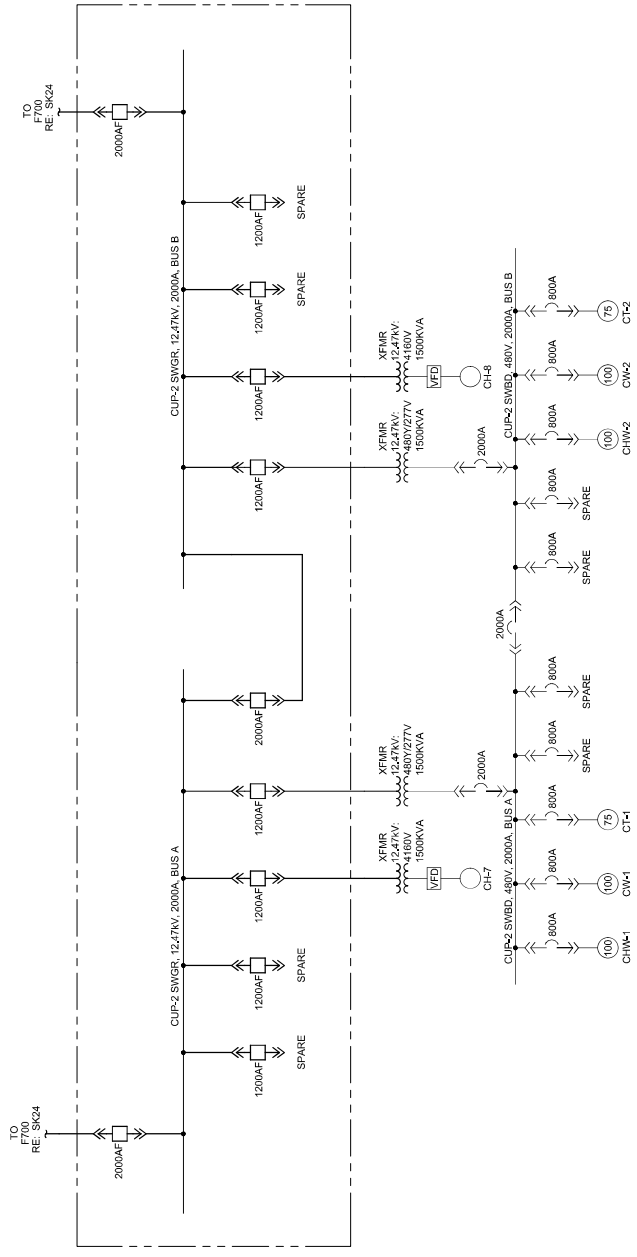
BURNS & MCDONNELL
 100 ENERGY WAY SUITE 1900
 FRIEDLAND CAMPUS
 PRAIRIE VIEW, TX 77446
 817-437-4381



DATE	08/14/2017	DESIGNED	AGM
DESIGNED	AGM	CHECKED	MFD

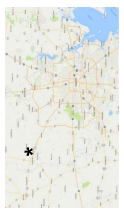
2017 UTILITY MASTER PLAN
 MAIN CAMPUS BUILDING GROWTH
 PRAIRIE VIEW A&M UNIVERSITY
 CUP-2 BASE CASE AND OPTION 1
 Project 98470
 Drawing

SK26 - 1



**ONE-LINE DIAGRAM, CUP-2
 BASE CASE AND OPTION 1**
 ONE-LINE
 NOT TO SCALE

1 2 3 4 5 6 7 8 9 10 11 12 13 14



SITE LOCATION
 PRAIRIE VIEW A&M UNIVERSITY
 100 ENERGY WAY SUITE 1900
 FORT WORTH, TEXAS 76102
 PRAIRIE VIEW, TX 77446



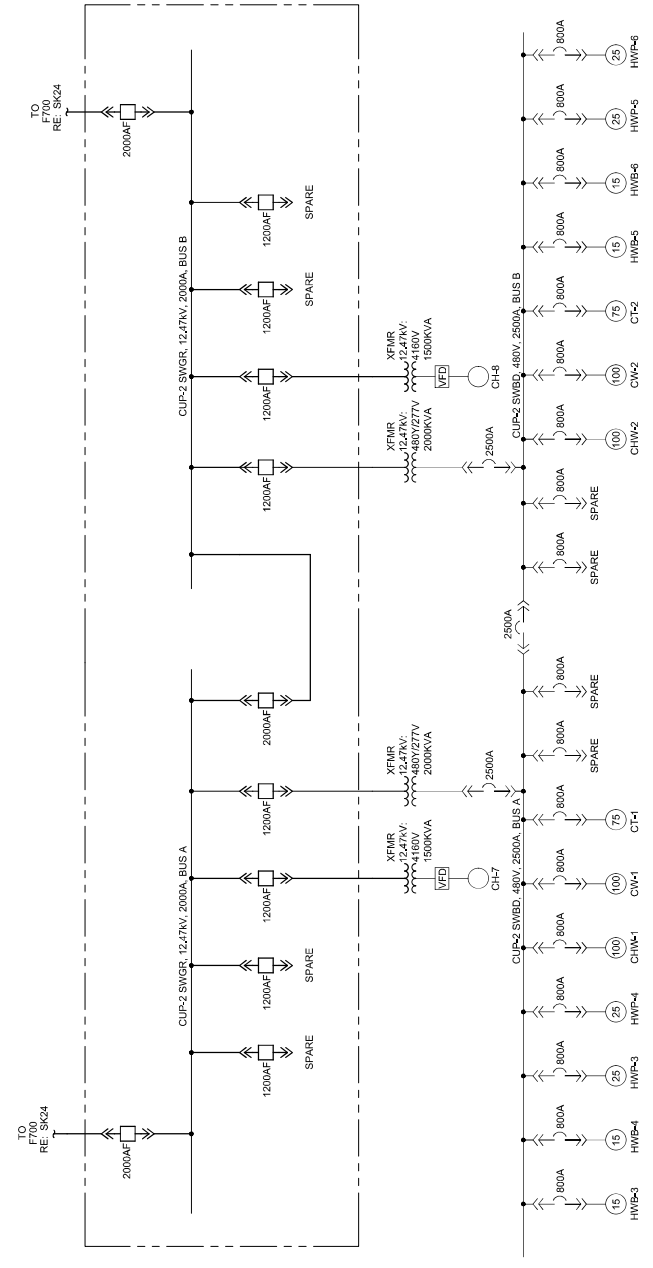
BURNS & MCDONNELL
 100 ENERGY WAY SUITE 1900
 FORT WORTH, TEXAS 76102
 817.437.4381



DATE	08/14/2017	DESIGNED	AGM
DESIGNED	AGM	CHECKED	MFD

2017 UTILITY MASTER PLAN
 MAIN CAMPUS BUILDING GROWTH
 CUP-2 OPTION 1
 CUP-2 OPTION 2

PROJECT 98470
 DRAWING SK27 - 1
 REV.



ONE-LINE DIAGRAM - CUP-2 OPTION 2
 ONE-LINE
 NOT TO SCALE